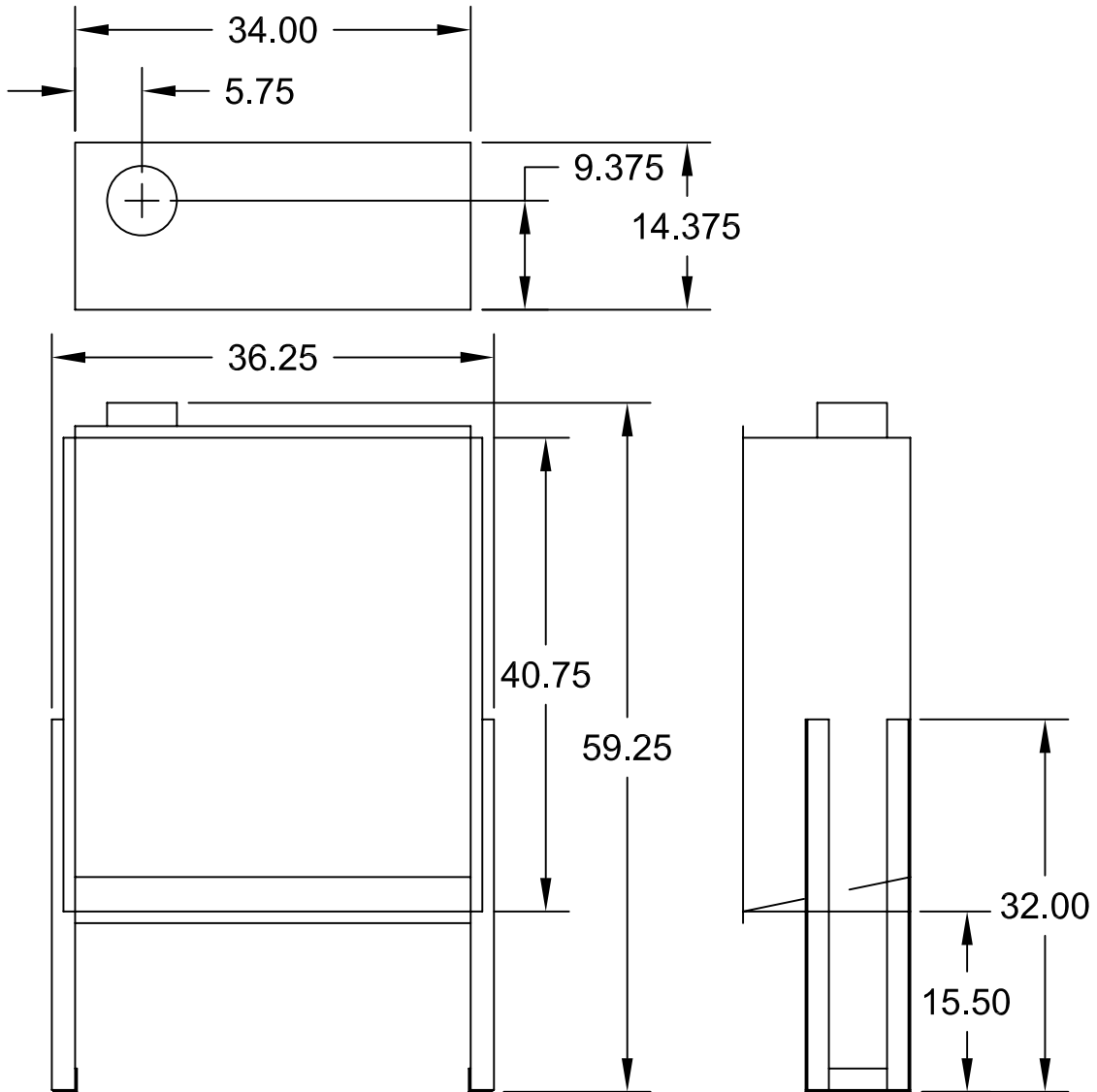


P.T.P.'S 6" MK90 STATION



WEIGHT LBS.

CAN 155 LBS.

POWER REQUIREMENTS

VOLTS	CYCLES	PHASE	AMP.
115VAC	60HZ	1	3

CONSTRUCTION

CHASSIS (AS SHOWN) 12GA PAINTED C.R.S.