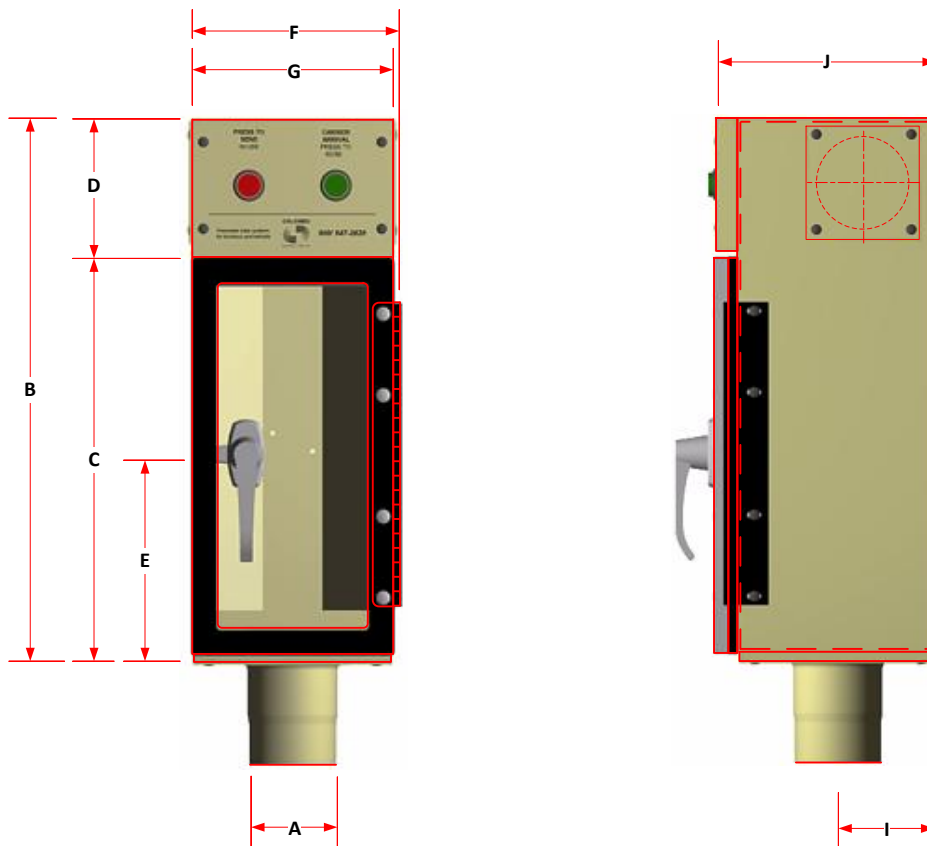
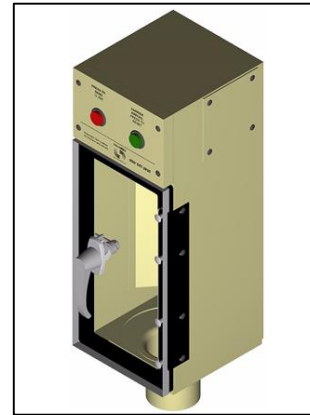
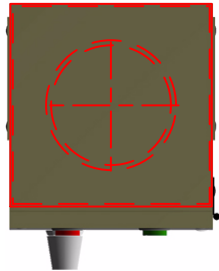


Dimensional Data

Colombo Point-to-Point System

Station, 3" Universal Up Receive Sm PT
Part# 12172



SIZE	PART NO.	A	B	C	D	E	F	G	H	I
3"	12172	3.00	18.88	14.13	4.75	6.88	7.25	6.88	7.75	3.50

Rev - 2.0
07-31-06



DISCLOSURE STATEMENT

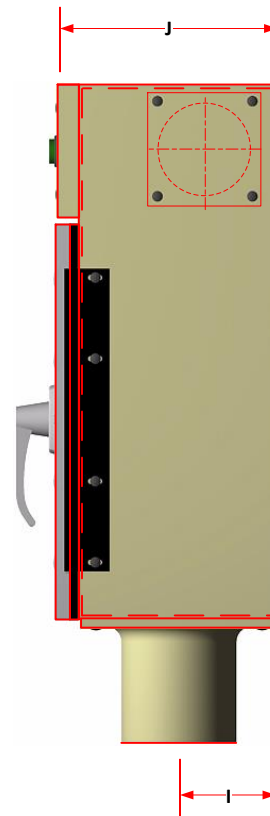
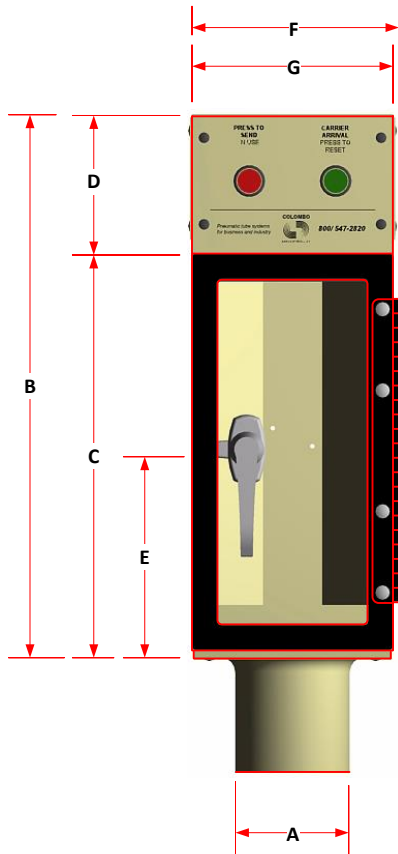
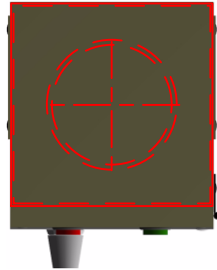
This drawing and design are property of COLOMBO Sales & Engineering, Inc. and may not be disclosed to third parties without the expressed written permission of COLOMBO Sales & Engineering, Inc.

Colombo Sales and Engineering, Inc.
10421 Enterprise Dr. • Davisburg, MI 48350
Ph: 800.547.2820 • Fx: 248.546.7567

Dimensional Data

Colombo Point-to-Point System

Station, 4" Universal Up Receive Sm PT
Part# 11813



SIZE	PART NO.	A	B	C	D	E	F	G	H	I
4"	11813	4.00	18.88	14.13	4.75	6.88	7.25	6.88	7.75	3.50

Rev - 2.0
07-31-06



DISCLOSURE STATEMENT

This drawing and design are property of COLOMBO Sales & Engineering, Inc. and may not be disclosed to third parties without the expressed written permission of COLOMBO Sales & Engineering, Inc.

Colombo Sales and Engineering, Inc.

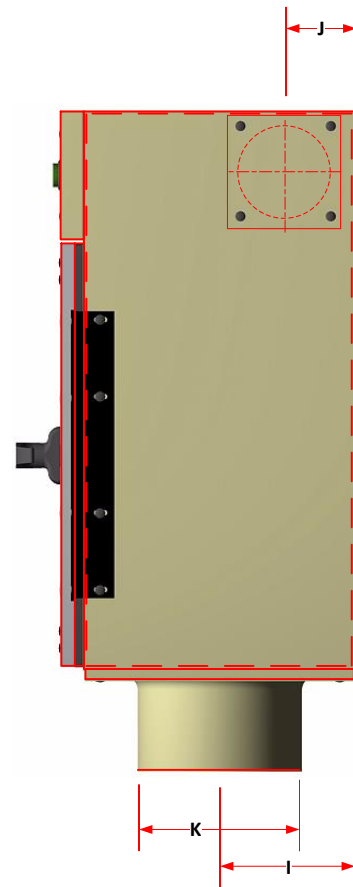
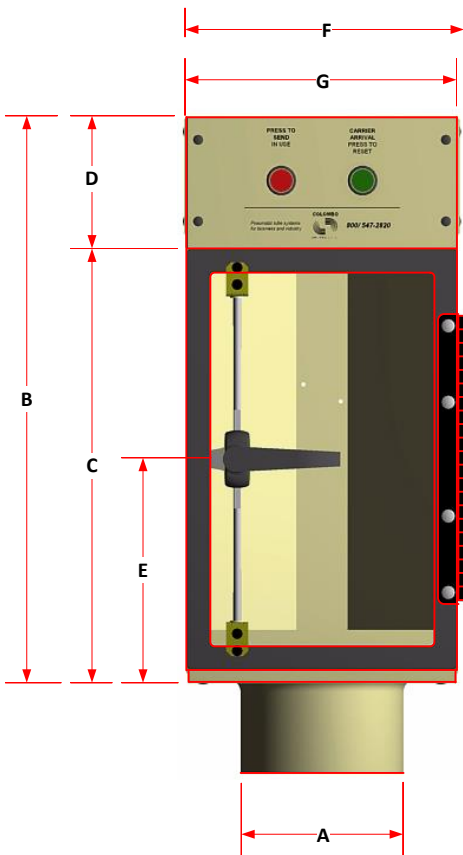
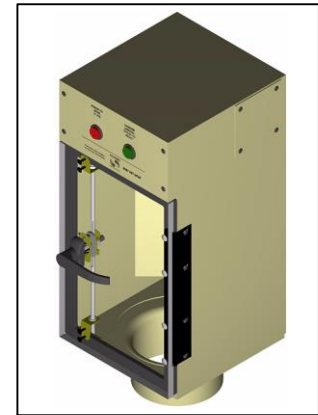
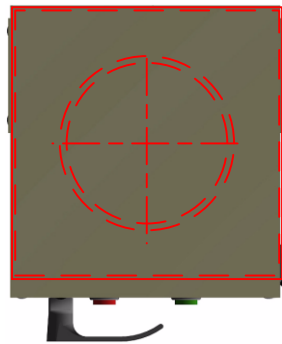
10421 Enterprise Dr. • Davisburg, MI 48350

Ph: 800.547.2820 • Fx: 248.546.7567

Dimensional Data

Colombo Point-to-Point System

Station, 6" Universal Up Receive Lg PT
Part# 12170



weight	34 lbs.
--------	---------

SIZE	PART NO.	A	B	C	D	E	F	G	H	I	J	K
6"	12170	6.00	6.00	20.75	13.88	7.38	8.25	10.38	10.00	5.00	10.00	2.63

Rev - 2.0
09-12-08



DISCLOSURE STATEMENT

This drawing and design are property of COLOMBO Sales & Engineering, Inc. and may not be disclosed to third parties without the expressed written permission of COLOMBO Sales & Engineering, Inc.

Colombo Sales and Engineering, Inc.

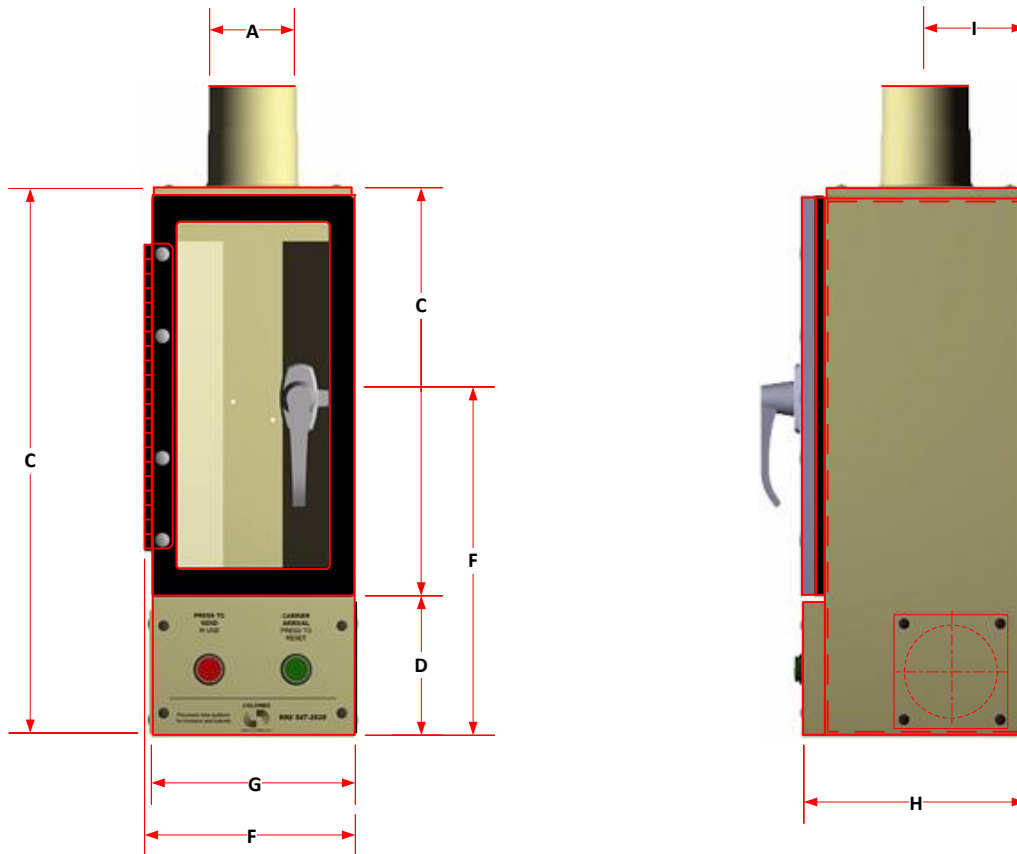
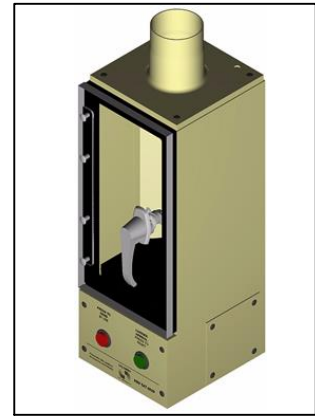
10421 Enterprise Dr. • Davisburg, MI 48350

Ph: 800.547.2820 • Fx: 248.546.7567

Dimensional Data

Colombo Point-to-Point System

Station, 3" Universal Down Receive Sm PT
Part# 12171



SIZE	PART NO.	A	B	C	D	E	F	G	H	I
3"	12171	3.00	18.88	14.13	4.75	12.00	7.25	6.88	7.75	3.50

Rev - 2.0
07-31-06



DISCLOSURE STATEMENT

This drawing and design are property of COLOMBO Sales & Engineering, Inc. and may not be disclosed to third parties without the expressed written permission of COLOMBO Sales & Engineering, Inc.

Colombo Sales and Engineering, Inc.

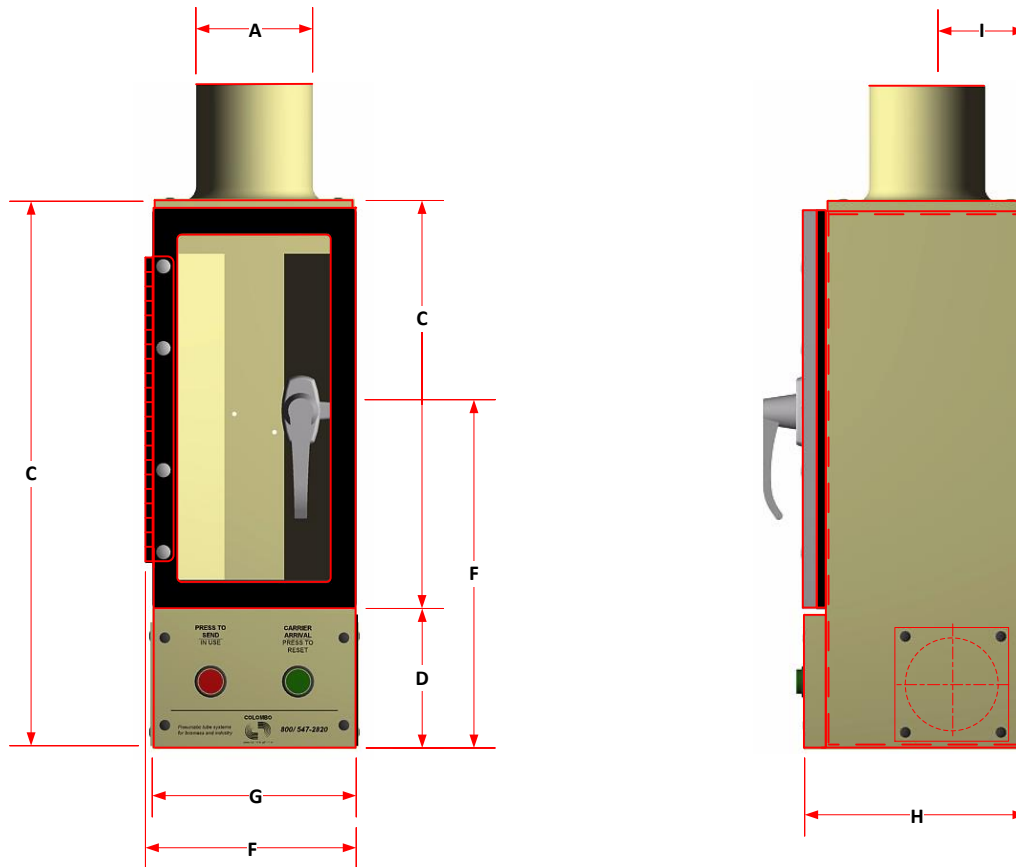
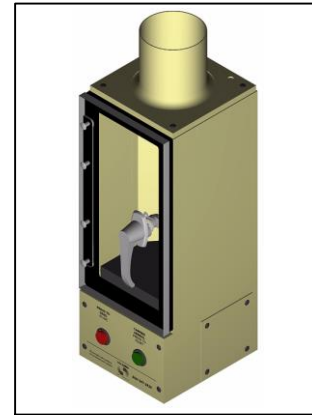
10421 Enterprise Dr. • Davisburg, MI 48350

Ph: 800.547.2820 • Fx: 248.546.7567

Dimensional Data

Colombo Point-to-Point System

Station, 4" Universal Down Receive Sm PT
Part# 11572



power	Low V Only
weight	21 lbs.

SIZE	PART NO.	A	B	C	D	E	F	G	H	I
4"	11572	4.00	18.88	14.13	4.75	12.00	7.25	6.88	7.75	3.50

Rev - 2.0
07-31-06



DISCLOSURE STATEMENT

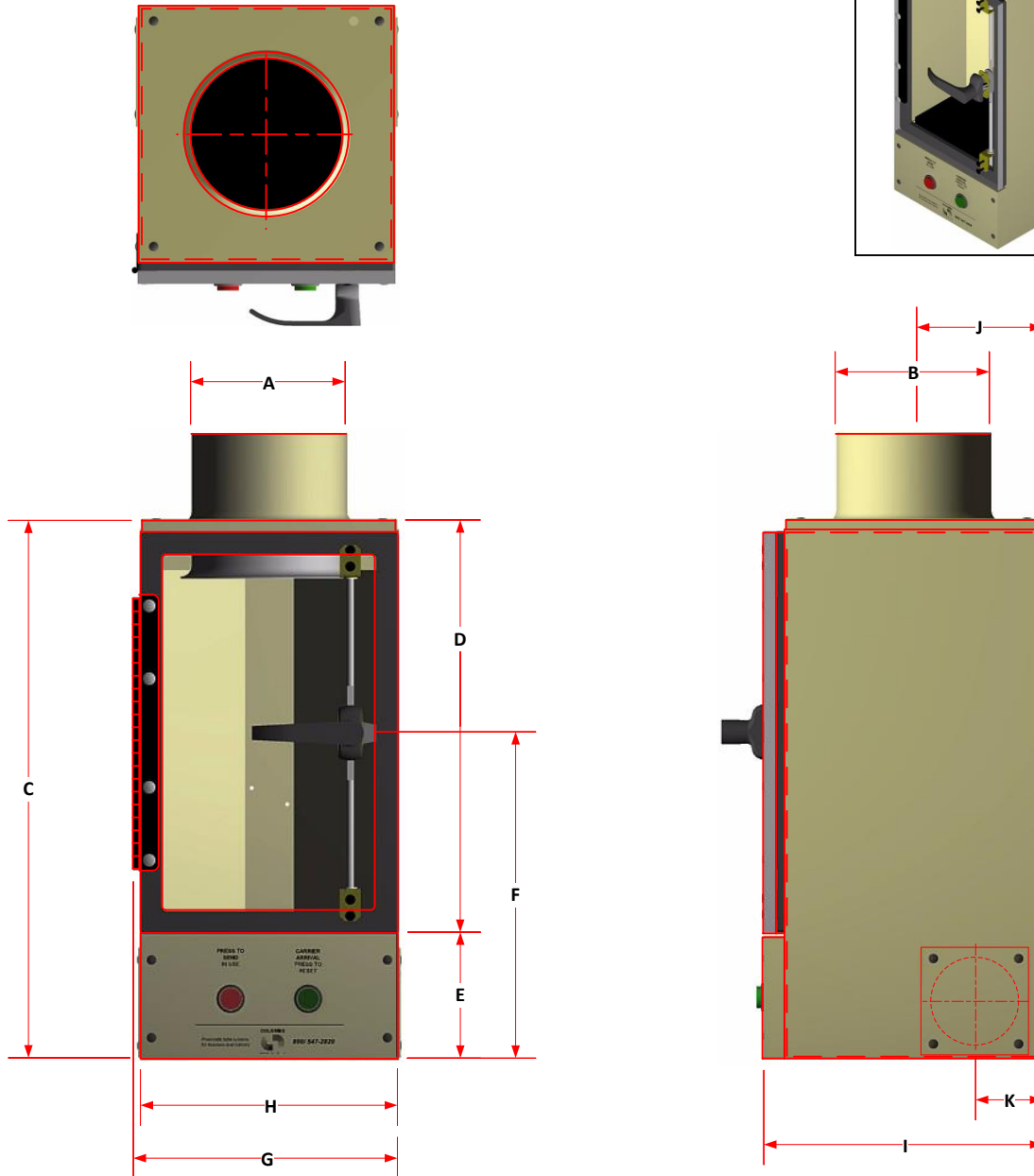
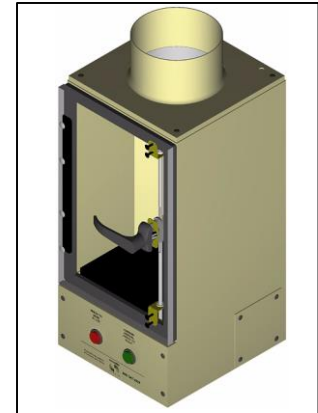
This drawing and design are property of COLOMBO Sales & Engineering, Inc. and may not be disclosed to third parties without the expressed written permission of COLOMBO Sales & Engineering, Inc.

Colombo Sales and Engineering, Inc.
10421 Enterprise Dr. • Davisburg, MI 48350
Ph: 800.547.2820 • Fx: 248.546.7567

Dimensional Data

Colombo Point-to-Point System

Station, 6" Universal Down Receive Lg PT
Part# 11976



weight	34 lbs.
--------	---------

SIZE	PART NO.	A	B	C	D	E	F	G	H	I	J	K
6"	11976	6.00	6.00	20.75	13.88	7.38	12.50	10.38	10.00	10.00	5.00	2.63

Rev - 3.0
09-12-08



DISCLOSURE STATEMENT

This drawing and design are property of COLOMBO Sales & Engineering, Inc. and may not be disclosed to third parties without the expressed written permission of COLOMBO Sales & Engineering, Inc.

Colombo Sales and Engineering, Inc.

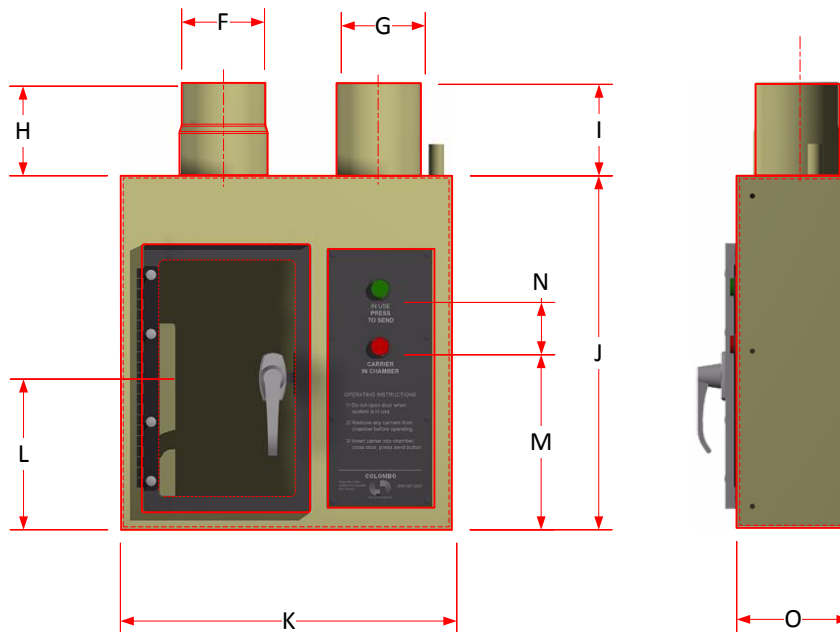
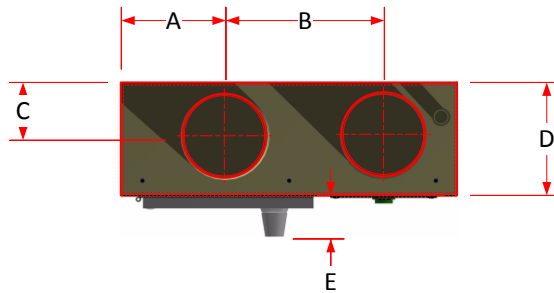
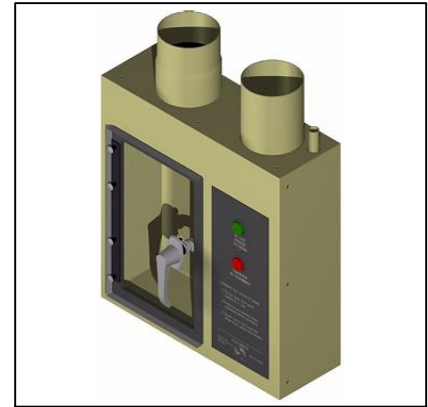
10421 Enterprise Dr. • Davisburg, MI 48350

Ph: 800.547.2820 • Fx: 248.546.7567

Dimensional Data

Colombo Point-to-Point System

Station, 4" Single Unit Station PT
 Free Standing Style
 Part# 12066



SIZE	PART NO	A	B	C	D	E	F	G	H
4"	12066	5.00	7.25	2.62	5.38	2.63	4.00	4.00	4.25

SIZE	PART NO	I	J	K	L	M	N	O
4"	12066	4.25	17.00	15.75	7.38	8.50	2.50	5.38

Rev - 1.0
 07-20-10



DISCLOSURE STATEMENT

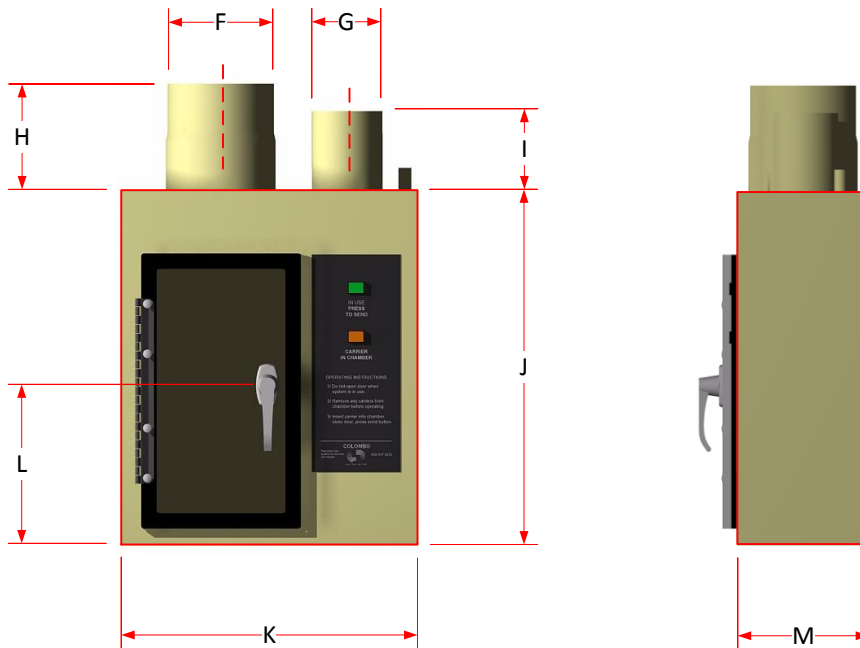
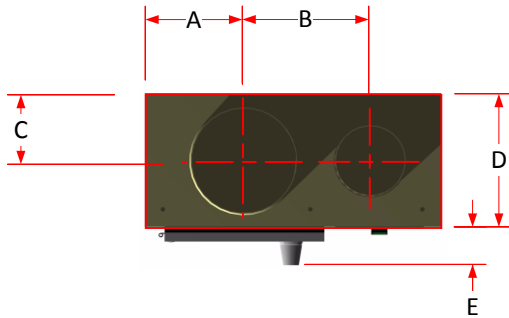
This drawing and design are property of COLOMBO Sales & Engineering, Inc. and may not be disclosed to third parties without the expressed written permission of COLOMBO Sales & Engineering, Inc.

Colombo Sales and Engineering, Inc.
 10421 Enterprise Dr. • Davisburg, MI 48350
 Ph: 800.547.2820 • Fx: 248.546.7567

Dimensional Data

Colombo Point-to-Point System

Station, 6" Single Unit Station
 Free Standing Style
 Part# 13102



power	Low V Only
weight	38 lbs.

SIZE	A	B	C	D	E	F	G
6"	5.50	7.13	3.75	7.50	1.25	6.00	4.00

SIZE	H	I	J	K	L	M
6"	6.00	4.50	20.00	16.63	9.00	7.50

Rev - 3.0
 08-31-11



DISCLOSURE STATEMENT

This drawing and design are property of COLOMBO Sales & Engineering, Inc. and may not be disclosed to third parties without the expressed written permission of COLOMBO Sales & Engineering, Inc.

Colombo Sales and Engineering, Inc.

10421 Enterprise Dr. • Davisburg, MI 48350

Ph: 800.547.2820 • Fx: 248.546.7567